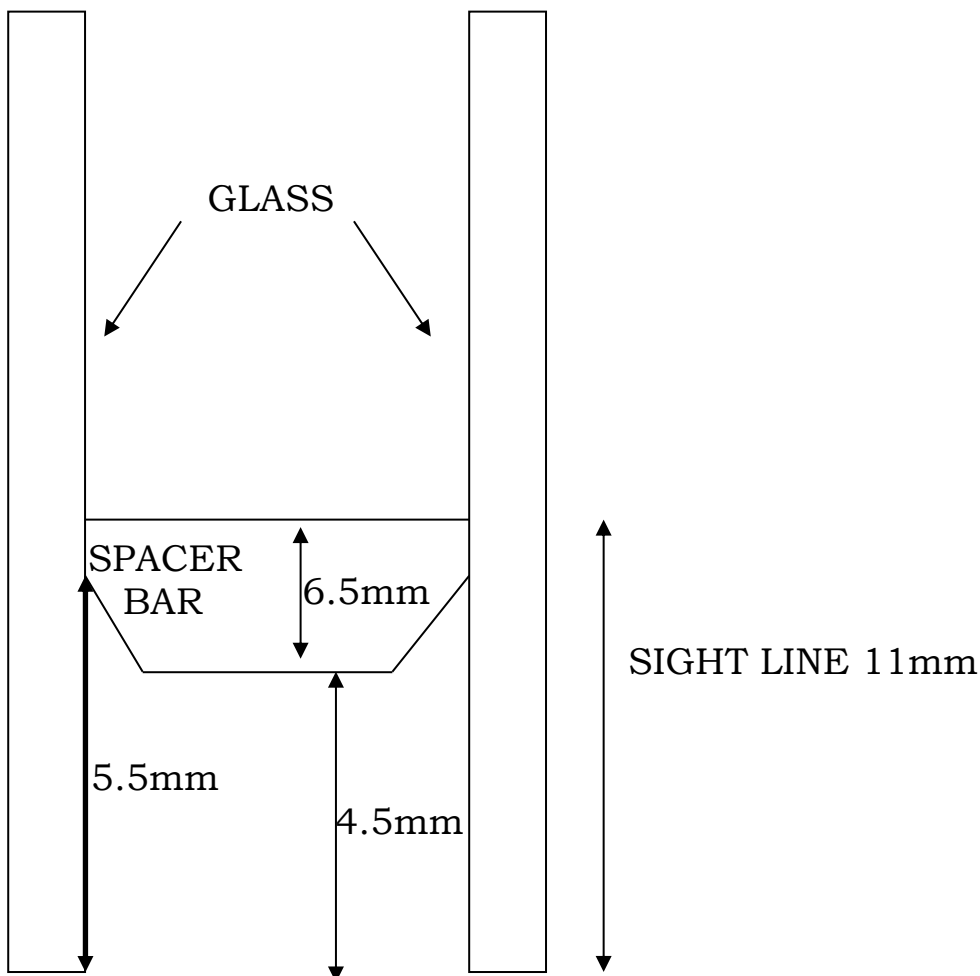


SIGHTLINE MEASUREMENT

PLEASE BE AWARE THAT DUE TO THE FACT THAT ALL OUR PRODUCTION IS AUTOMATED. OUR SIGHT LINE IS SET AT 11mm FROM THE EDGE OF THE GLASS TO THE TOP OF THE SPACER BAR. SEE BELOW DRAWING.



Custom Complex, Yardley Road
Knowsley Industrial Park North
Merseyside L33 7SS
Telephone: 0151 549 1264 Fax: 0151 549 1863
E-mail: sales@customglass.co.uk
Web Site: www.customglass.co.uk